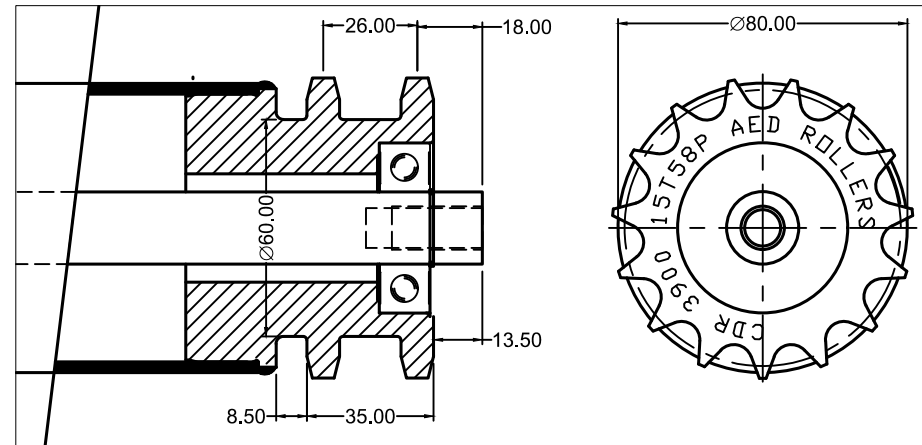
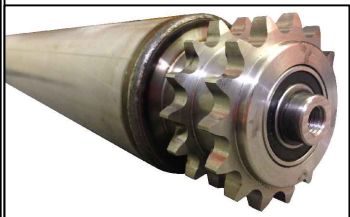
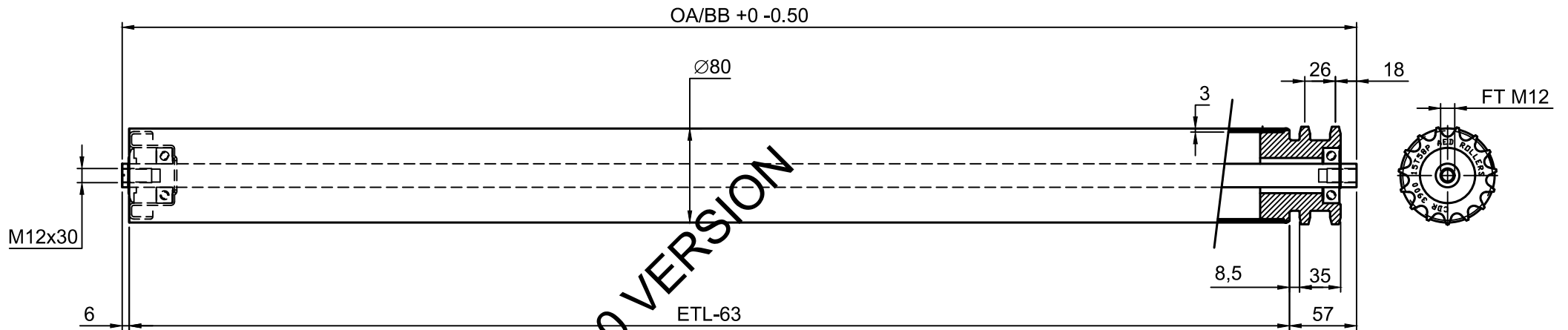


CONV. WIDTH / OA	LOAD CAPACITY	
	UDL > 75% OA	
200	-	-
250	-	-
300	500	-
400	450	-
500	350	-
600	300	-
700	250	-
800	220	-
900	155	-
1000	107	-



FINISH	BZP
MATERIAL	MILD STEEL
HEAT TREATMENT	AS BRGS SUPPLIED
LUBRICATION	" " "
DRAWN: P. BEVAN	DATE: 17.12.19